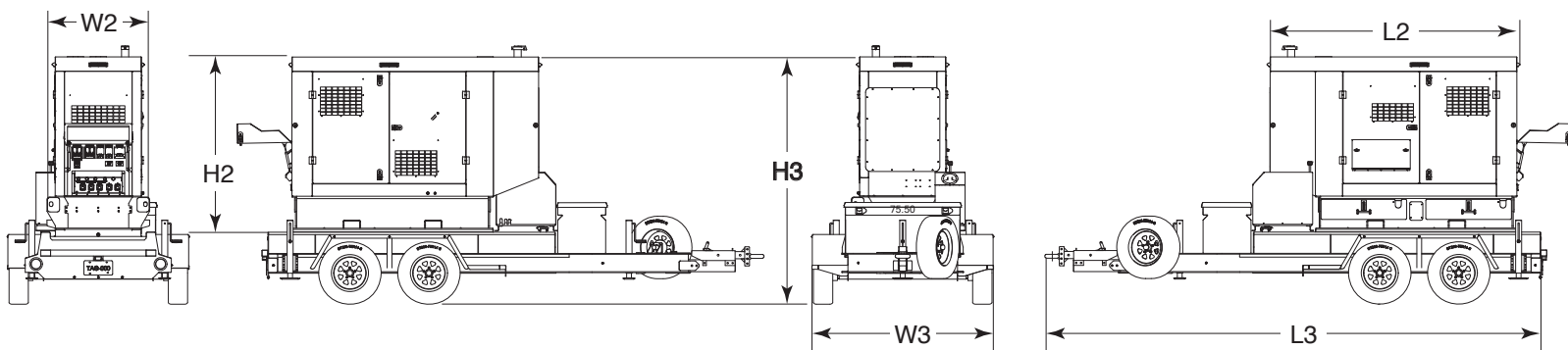


ENGINE SPECIFICATION:	
Manufacturer and Model	Perkins Model 1204F-E44TTAG2
Emissions	EPA Tier 4
Engine speed (rpm)	1800
Max. (Cont.) HP Power 1800 rpm	173
Cylinder arrangement	4 In-line
Engine combustion system	Direct Injection
Aspiration	Turbo-charged aftercooled
Fuel direct injection system (Diesel)	High Pressure Common Rail
Number of Cylinders	4
Displacement in ³ (liters)	268.5 (4.4)
Bore and Stroke inches (mm)	4.13 x 5.0 (105 x 127)
Cooling	Water-cooled
Governor	Electronic
Starting aids	Glow Plug
Compression ratio	16.5:1
Air cleaner type	Dry Type
Sound at 1m from engine block dBA	111.5
Max. Exh. Temp at full load degrees °F (°C)	883 (473)
Exhaust aftertreatment	DOC/DPF
COOLING SYSTEM FOR OPERATING AT 120°F AMBIENT:	
Cooling System	Water-cooled
Engine Coolant Capacity quarts (Liters)	4.8 (18.3)
Fan	Belt driven pusher fan
Radiator	Engine mounted
Eng. Cooling air flow - ft ³ /sec (m ³ /sec)	137.7 (3.9)
LUBRICATING SYSTEM:	
Total lubricating capacity quarts (Liter)	3.57 (13.5)
Recommended lubricating oil grade	SAE 10W-30
Oil Pressure – psi (kPA)	TBA
Oil Filter	Full flow spin on, cartridge type

ENGINE ELECTRICAL SYSTEM:	
Starting motor voltage	12 volt
Charging alternator output - Amps	100
Wet Cell Battery	Lead Acid
ALTERNATOR:	
Configuration	12-wire brushless rotating field
Frequency	60hz
Voltage regulation	PMG PM300
No load to full load voltage regulation	1/4% from no load to full load
Coupling	Flange to Flywheel Housing
Bearing	Single
Manufacturer	Marathon
Model	362PSL36115
Load acceptance	2/3 pitch design
Compliance	NEMA MG-1
TIF Factor	Shall not exceed 50
FUEL CONSUMPTION: PER HOUR GALS (LITERS) {STANDBY RATING}	
100%	8.7 (33.1)
75%	6.0 (22.6)
50%	4.2 (16.1)
25%	2.5 (9.3)
CONTROL PANEL SPECIFICATIONS:	
Manufacturer (Model)	Basler (DGC-2020ES)
MPC-10 Controller Inputs	16
MPC-10 Controller Outputs	12
Operating power/consumption	6-32 VDC; Average load 14.2W
Communications	UL 508 R & CSA C22.2 #14
GENERATOR OPTIONS:	
Enclosure	Aluminum sound attenuated to 68 dBA
Base arrangement	Rigid steel base frame with AVMS
Spill containment	UL double wall base mounted

DIMENSIONS & ARRANGEMENT DRAWING MOBILE MODEL (WITH DOT TRAILER & ENCLOSURE OPTION): TP100 T4


KEY DIMENSIONS AND WEIGHT BASIC OPEN SET, SOUND ENCLOSURE AND MOUNTED ON DOT TRAILER (* = Option Equipment)										
Description (inches)	Height	Width		Length		Dry weight lbs	Wet Weight lbs	Sound dBA	Fuel Tank Gals *	
Enclosed Set	H2	62.0	W2	36.0	L2	103.0	2940	3015	68	250
Trailer mounted *	H3	103.34	W3	74.57	L3	203.97	6015	6158		