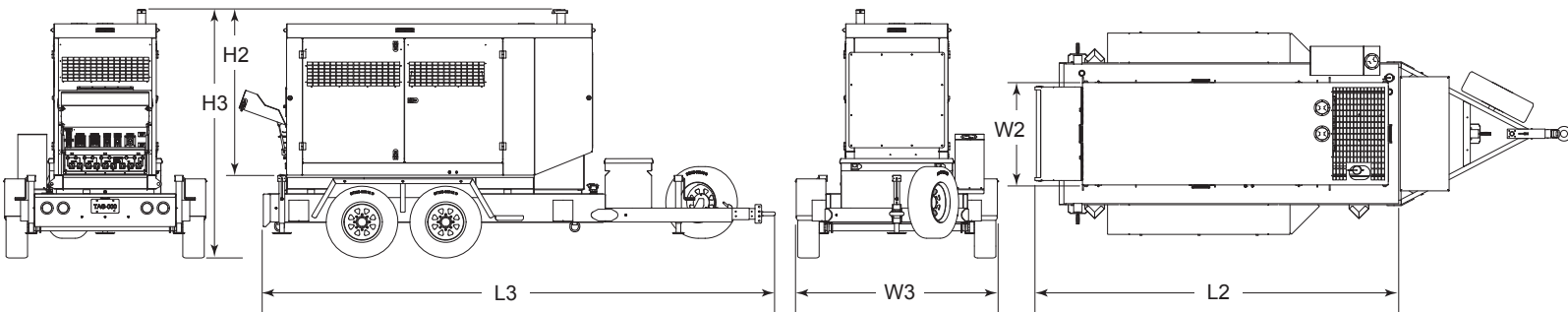




ENGINE SPECIFICATION	
Manufacturer and Model	Perkins Model 1206F-E70TTAG3
Emissions	EPA Tier 4
Engine speed (rpm)	1800
Max. (Cont.) HP Power 1800 rpm	224.4
Cylinder arrangement	6 in-line
Engine combustion system	Direct Injection
Aspiration	Series turbocharged charge cooled
Fuel direct injection system (Diesel)	High Pressure Common Rail
Number of Cylinders	6
Displacement in <sup>3</sup> (liters)	427.8 (7.01)
Bore and Stroke inches (mm)	4.13 x 5.3 (105 x 135)
Cooling	Water cooled
Governor	Electronic
Starting aids	Glow Plugs
Compression ratio	16.5:1
Air cleaner type	Replaceable element
Sound at 1m from engine block dBA	117
Max. Exh. Temp at full load degrees °F (°C)	839.7 (448.7)
Exhaust aftertreatment	DOC, DPF, SCR/AMOX+DEF System
COOLING SYSTEM FOR OPERATING AT 120° AMBIENT:	
Cooling System	Water-cooled
Engine Coolant Capacity quarts (Liters)	6.4 (24.25)
Fan	Belt driven pusher fan
Radiator	Engine mounted
Eng. Cooling air flow - ft <sup>3</sup> /min (m <sup>3</sup> /min)	173.8 (4.92)
LUBRICATING SYSTEM:	
Total lubricating capacity quarts (Liter)	16.8 (16.0)
Recommended lubricating oil grade	SAE 10W-30
Oil Pressure – psi (kPa)	75.4 (520)
Oil Filter	Full flow spin on, cartridge type

ENGINE ELECTRICAL SYSTEM:	
Starting motor voltage	12 volt
Charging alternator output - Amps	100
Wet Cell Battery	Lead Acid
ALTERNATOR:	
Configuration	12-wire brushless rotating field
Frequency	60hz
Voltage regulation	PMG PM300
No load to full load voltage regulation	1/4% from no load to full load
Coupling	Flange to Flywheel Housing
Bearing	Single
Manufacturer	Marathon
Model	431PSL6202
Load acceptance	2/3 pitch design
Compliance	NEMA MG-1
TIF Factor	Shall not exceed 50
FUEL CONSUMPTION: PER HOUR GALS (LITERS) {STANDBY RATING}	
100%	11.9 (45.0)
75%	8.4 (32.0)
50%	-
25%	-
CONTROL PANEL SPECIFICATIONS:	
Manufacturer (Model)	Basler (DGC-2020ES)
MPC-10 Controller Inputs	16
MPC-10 Controller Outputs	12
Operating power/consumption	6-32 VDC; Average load 14.2W
Communications	UL 508 R & CSA C22.2 #14
GENERATOR OPTIONS:	
Enclosure	Aluminum sound attenuated to 68 dBA
Base arrangement	Rigid steel base frame with AVMS
Spill containment	UL double wall base mounted

**DIMENSIONS & ARRANGEMENT DRAWING MOBILE MODEL (WITH DOT TRAILER & ENCLOSURE OPTION): TP150 T4**


KEY DIMENSIONS AND WEIGHT BASIC OPEN SET, SOUND ENCLOSURE AND MOUNTED ON DOT TRAILER (* = Option Equipment)										
Description ( inches)	Height	Width	Length	Dry weight lbs	Wet Weight lbs	Sound dBA	Fuel Tank Gals *			
Enclosed Set *	H2	71.0	W2	44.0	L2	131.50	6566	6745	68	330
Trailer mounted *	H3	106.25	W3	86.5	L3	214.28	9200	9345		